

### FEATURES & BENEFITS:

- Made of Lead Free Brass.
- Specially for food-service, industrial, commercial plumbing and laboratory markets
- Very easy to install and clean
- Offers a quick connection
- Adjustable Centers



**C8123**

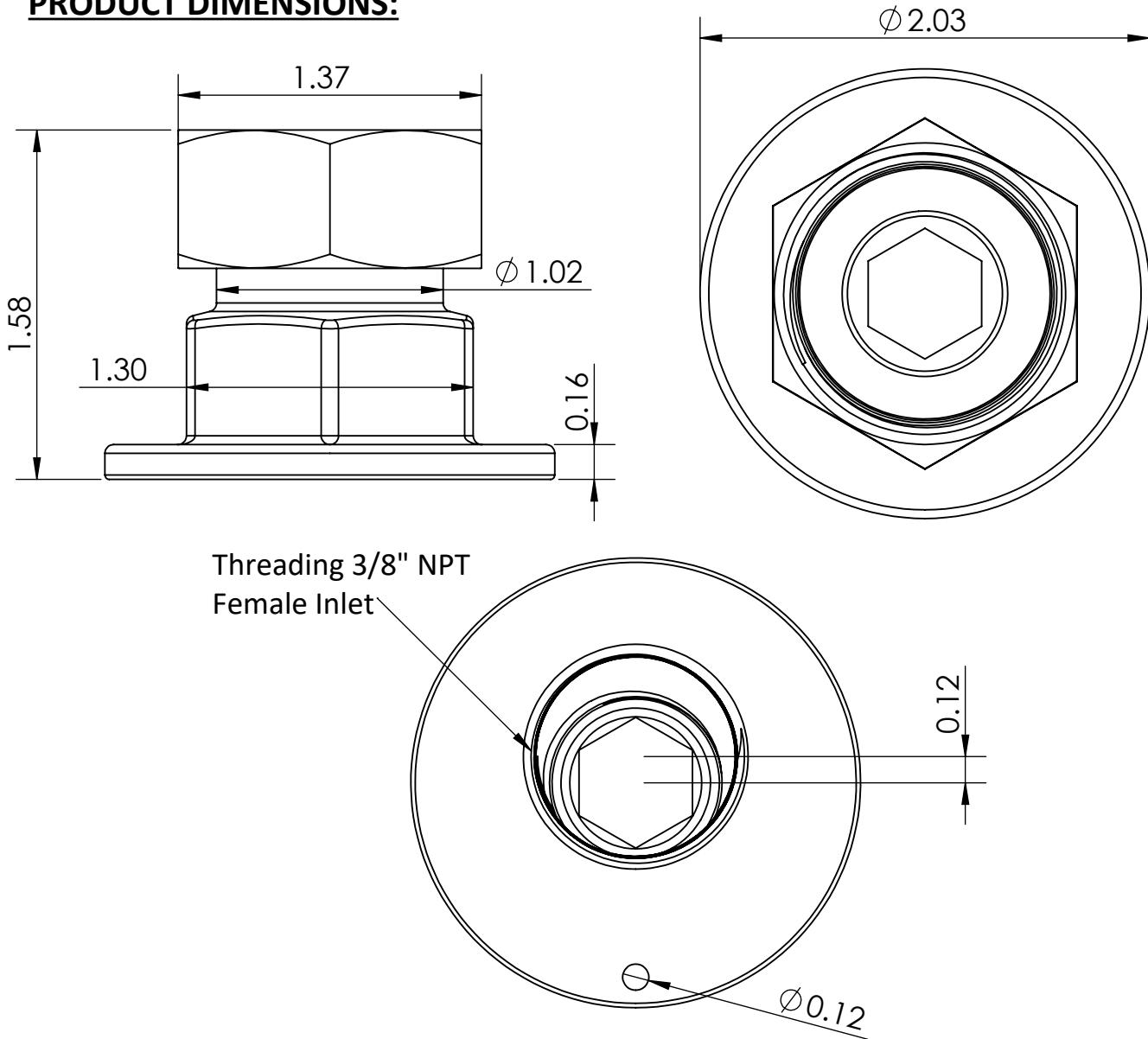
**WARRANTY:** One Year (Limited)



US & Canada :- +1-678 666 2001  
Asia:- +91-9814203010

Krome USA Inc. reserves the right to make revisions to product specifications without any notice  
For most updated specification sheet , go to [www.aluids.com](http://www.aluids.com)

**PRODUCT DIMENSIONS:**



**OPTION AVAILABLE:**

Part Number	Material	Thread	Finish
C8121	Brass (Lead Free)	1/2" NPT	Chrome Plated
C8122	Brass (Lead Free)	3/4" NPT	Chrome Plated