

Features & Benefits:

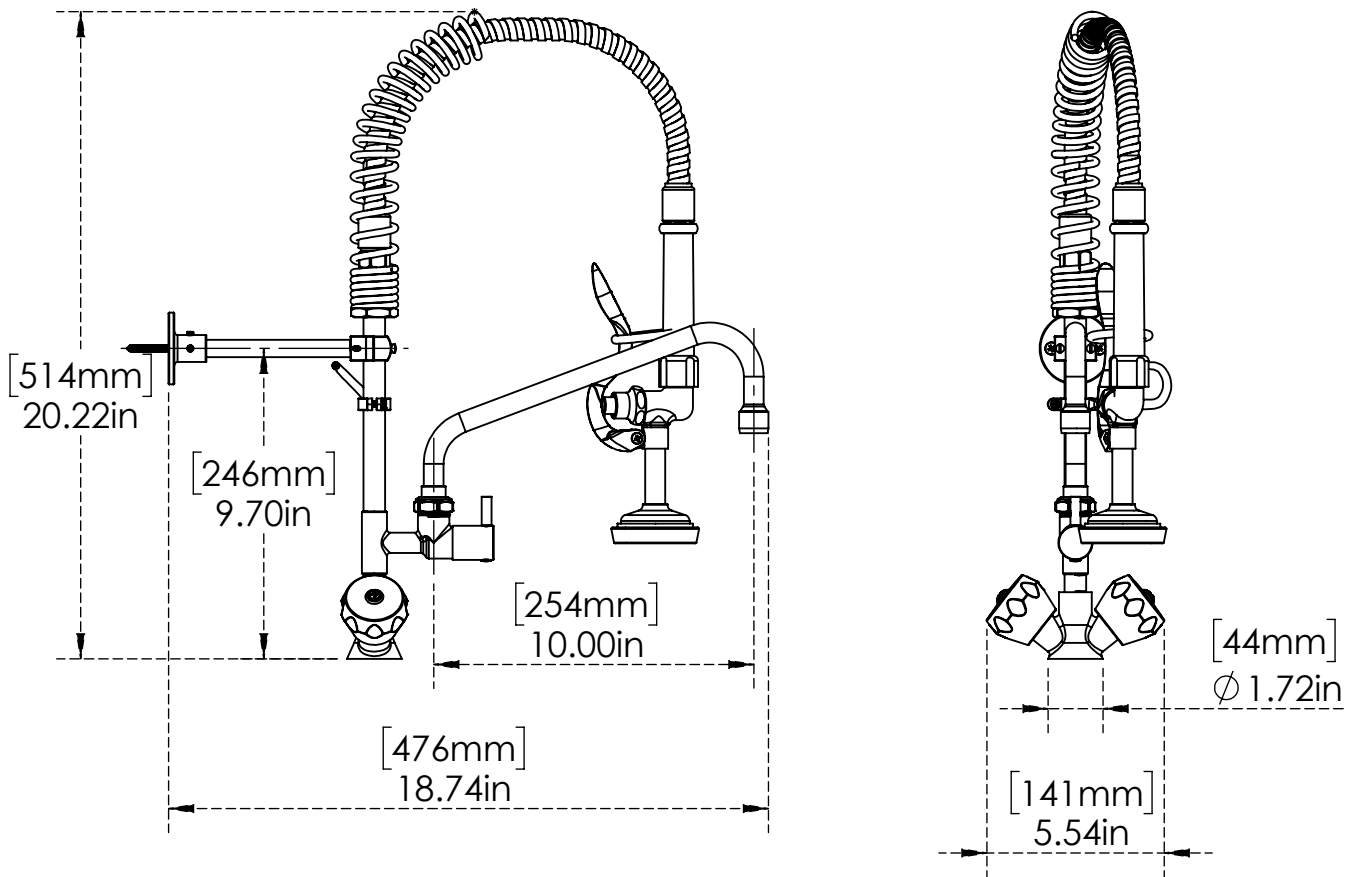
- 50" SS Flexible Pipe for Pre-Rinse Faucet, Less Handle.
- High-flow pre-rinse spray Also options available in Spray valve i.e, 1.2 GPM and 1.42 GPM.
- Polished Chrome Plated Brass Body.
- Lever Handles With Color Coded Red & Blue Indexes.
- Deck Mounted Body With Hoses Included.
- Pre Rinse Spray Head Riser Tube Hook
- 6" Wall Mount Bracket For Upright Pre Rinse.
- Outer support spring.



C8436

Warranty: One Year (Limited)

Product Dimensions:-



Options Available:-

Part No	Name	Spray Valve(@ 60PSI)	Finish	Mounting System	Single Hole	Inlet	Add on Faucet	Add On Spout
C8442	Ecoline Pre-Rinse Unit:Long Height Double Lever Single Hole Deck Mount,High Flow Spray Valve	4.5	Polished Chrome	Deck Mount	Yes	1/2" NPSM	Yes	10"