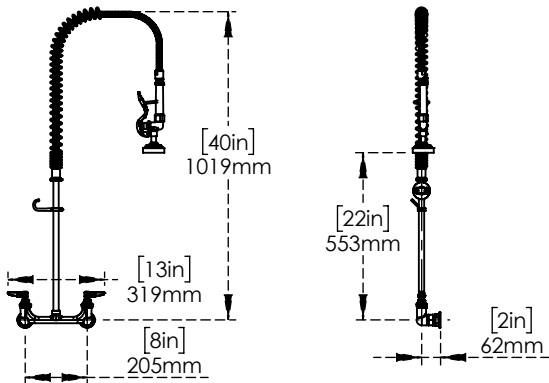


For Residential and Commercial Applications

Job Name _____
 Job Location _____
 Engineer _____
 Approval _____

Contractor _____
 Approval _____
 Contractor's P.O. No. _____
 Representative _____

Series: Pre Rinse
Pre-Rinse Unit: 1.15 GPM Spray Valve with 8" Center Wall
Mount Body
 C9551



Features & Benefits:

- 8" plated brass body
- Heat resistant gray w/ 44" flexible stainless steel hose
- Spray valve 1.15 GPM
- Quarter-turn Eterna compression cartridges with spring checks
- Color coded indexes w/ Lever handles
- 1/2" NPT female Thread
- Polished chrome Finish

Performance Data:

- Pressure: 20 - 125 psi [1.38 - 8.62 bar]
- Temperature: 40°F - 140°F [4.44 C - 60 C]
- Flow rate: : 1.15 GPM [4.35 L/min] @ 60 psi

Aerators:

Standard Aerator	Suffix	Vandal Resistant Laminar Flow Outlet	Suffix
<input type="checkbox"/> 0.20 GPM	E1	<input type="checkbox"/> 0.35 GPM	H1
<input type="checkbox"/> 0.50 GPM	E2	<input type="checkbox"/> 0.50 GPM	H2
<input type="checkbox"/> 1.00 GPM	E3	<input type="checkbox"/> 1.00 GPM	H3
<input type="checkbox"/> 1.50 GPM	E4	<input type="checkbox"/> 1.50 GPM	H4
<input type="checkbox"/> 1.80 GPM	E5		
<input type="checkbox"/> 2.20 GPM	E6		
Laminar Flow Outlet	Suffix	Vandal Resistant Aerator	Suffix
<input type="checkbox"/> 0.50 GPM	F1	<input type="checkbox"/> 0.35 GPM	G1
<input type="checkbox"/> 1.50 GPM	F2	<input type="checkbox"/> 0.50 GPM	G2
		<input type="checkbox"/> 1.00 GPM	G3

Optional Cartridges:

- Quarter-Turn w/ Spring Check valve
- Quarter-Turn w/ Check Valve

Optional Pre-Rinse Spray Valves:

Spray Valve	Flow Rate
C9526	1.15GPM
C8149	1.42GPM
C9520	1.42GPM
C8249	4.50GPM

Product compliance:

- California proposition 65

Warranty: Four years(Limited)

NOTICE

The information contained herein is not intended to replace the full product installation and safety information available or the experience of a trained product installer. You are required to thoroughly read all installation instructions and product safety information before beginning the installation of this product.



US & Canada :- +1-678 666 2001

Krome product Specifications in U.S. customary units and metric are approximate and are provided for reference only. For precise measurements, please contact Krome Technical Service. Krome reserves the right to change or modify product design, construction, specifications, or materials without prior notice and without incurring any obligation to make such changes and modifications on Krome products previously or subsequently sold. For most updated specification sheet, go to