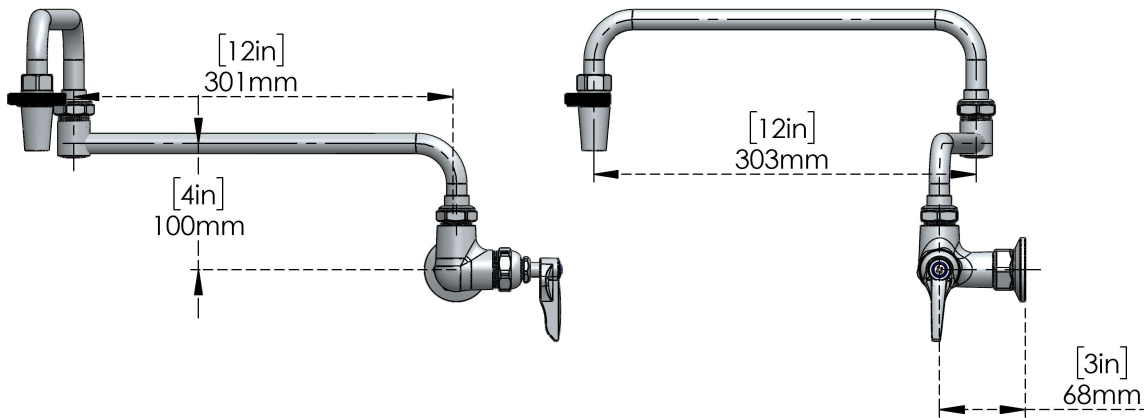


For Residential and Commercial Applications

Job Name _____ Contractor _____
Job Location _____ Approval _____
Engineer _____ Contractor's P.O. No. _____
Approval _____ Representative _____

Series: Single Hole Wall Mount Pot Filler Faucet with 24" Jointed Spout C8628



Features & Benefits:

- 100% high quality material, ensures durability and easy cleaning. pot filler faucet ensure safety and sustainability
- A pot filler makes it easy to fill large cooking vessels quickly and without the walk from sink to stove
- Deck mounting kit
- 1/2" NPS male inlet
- Fits in 3/4" hole

Performance Data:

- Pressure: 20 - 125 psi
- Temperature: 40 F - 140 F
- Foam Flow Aerator

Product Compliance:

- California proposition 65

Warranty: One Year (Limited)

NOTICE

The information contained herein is not intended to replace the full product installation and safety information available or the experience of a trained product installer. You are required to thoroughly read all installation instructions and product safety information before beginning the installation of this product.



US & Canada :- +1-678 666 2001

Krome product Specifications in U.S. customary units and metric are approximate and are provided for reference only. For precise measurements, please contact Krome Technical Service. Krome reserves the right to change or modify product design, construction, specifications, or materials without prior notice and without incurring any obligation to make such changes and modifications on Krome products previously or subsequently sold. For most updated specification sheet, go to

ALUIDS