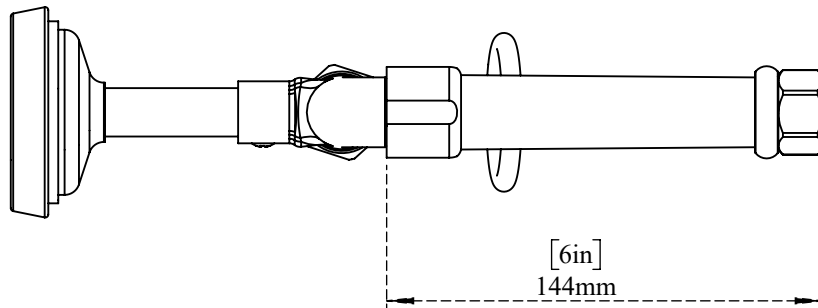
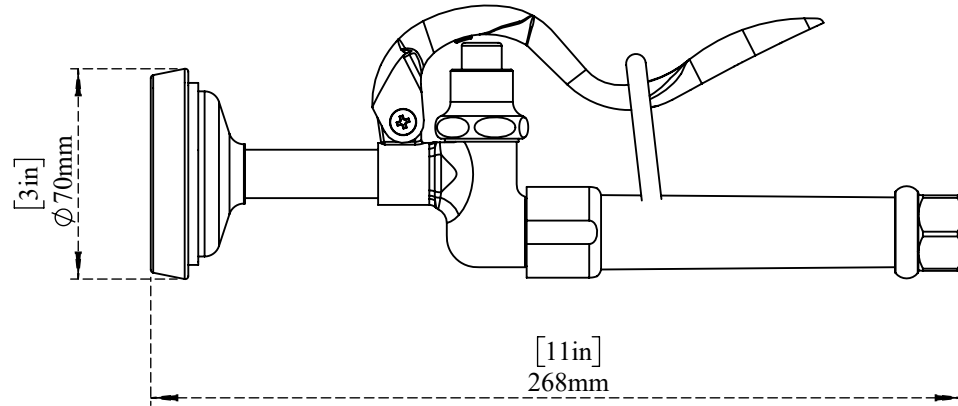


PART NO.-

C8249.FM-1.2 in Line drawing

TITLE-

Ecoline High Spray Valve with grip handle and 1/2" NPT Female inlet



**ALUIDS**

Note:- Information provided for reference only.

\* This document and the information thereon is the property of Krome Dispense Pvt Ltd. & its subsidiaries. Any reproduction in part or as a whole without the written permission of Krome Dispense Pvt Ltd. is prohibited.