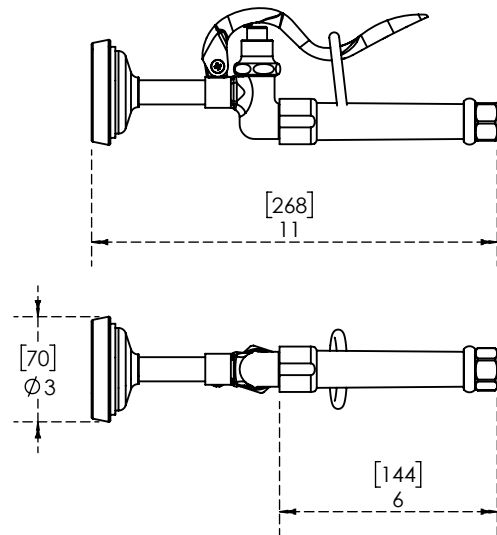




**Product Dimensions:-**



**Specifications:**

- Polished chrome plated brass body with rubber bumper for durability.
- 1/2" NPT female inlet for easy connection.
- Robust spray valve with heat-resistant handle for precise water flow control.
- Integrated hold-down ring prevents hose tangling during operation.
- Designed for high-flow capabilities, ideal for industrial wash-down applications.
- Pressure: Max 125 psi, Min 20 psi.
- Temperature: Max 140°F, Min 40°F.

**Options Available:-**

Part No	Part Name	GPM
C8149	Spray Valve For Pre Rinse 1.42 GPM	1.42GPM
C8042	Low Flow Spray Valve For Pre Rinse 1.2 GPM	1.2GPM



US & Canada :- +1-678 666 2001  
 Asia:- +91-9814203010

Krome USA Inc. reserves the right to make revisions to product specifications without any notice  
 For most updated specification sheet , go to [www.aluids.com](http://www.aluids.com)