

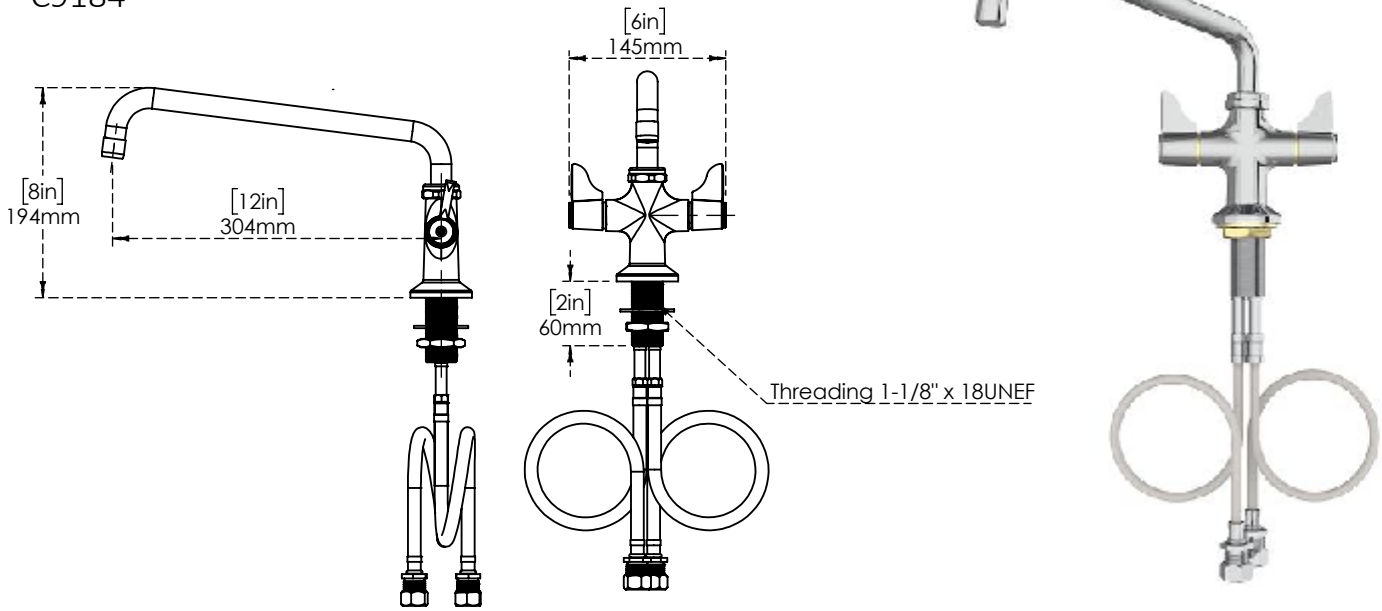
# For Residential and Commercial Applications

Job Name \_\_\_\_\_  
Job Location \_\_\_\_\_  
Engineer \_\_\_\_\_  
Approval \_\_\_\_\_

Contractor \_\_\_\_\_  
Approval \_\_\_\_\_  
Contractor's P.O. No. \_\_\_\_\_  
Representative \_\_\_\_\_

## Series:

**Ecoline SINGLE HOLE FAUCET DECK MOUNT with 12" spout - Mixing faucet - Ceramic cartridges - 2.2 GPM with inlet tubings**  
C9184



### Features & Benefits:

- 18" stainless steel flexible supply hoses with 1/2" NPSM inlet
- cartridges Spindle : Ceramic cartridges
- Deck mount mixing faucet with a single hole and a polished chrome plated brass body.
- Swivel outlets are compatible with equip 12"swivel goosenecks.
- Double Lever Handle.
- Made of Polished chrome plated brass body and chrome plated metal handles

### Performance Data:

- Pressure: 20 - 125 psi [1.38 - 8.62 bar]
- Temperature: 40° F - 140° F [4.44 C - 60 C]
- Flow rate: : 2.2 GPM [4.35 L/min] @ 60 psi

### Product compliance:

- California proposition 65

**Warranty:** one years(Limited)

### NOTICE

The information contained herein is not intended to replace the full product installation and safety information available or the experience of a trained product installer. You are required to thoroughly read all installation instructions and product safety information before beginning the installation of this product.



US & Canada :- +1-678 666 2001

Krome product Specifications in U.S. customary units and metric are approximate and are provided for reference only. For precise measurements, please contact Krome Technical Service. Krome reserves the right to change or modify product design, construction, specifications, or materials without prior notice and without incurring any obligation to make such changes and modifications on Krome products previously or subsequently sold. For most updated specification sheet, go to

ALUIDS