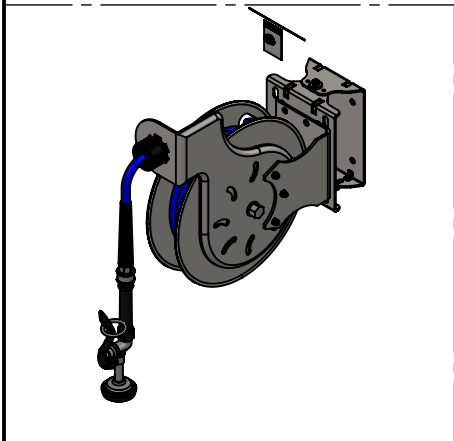
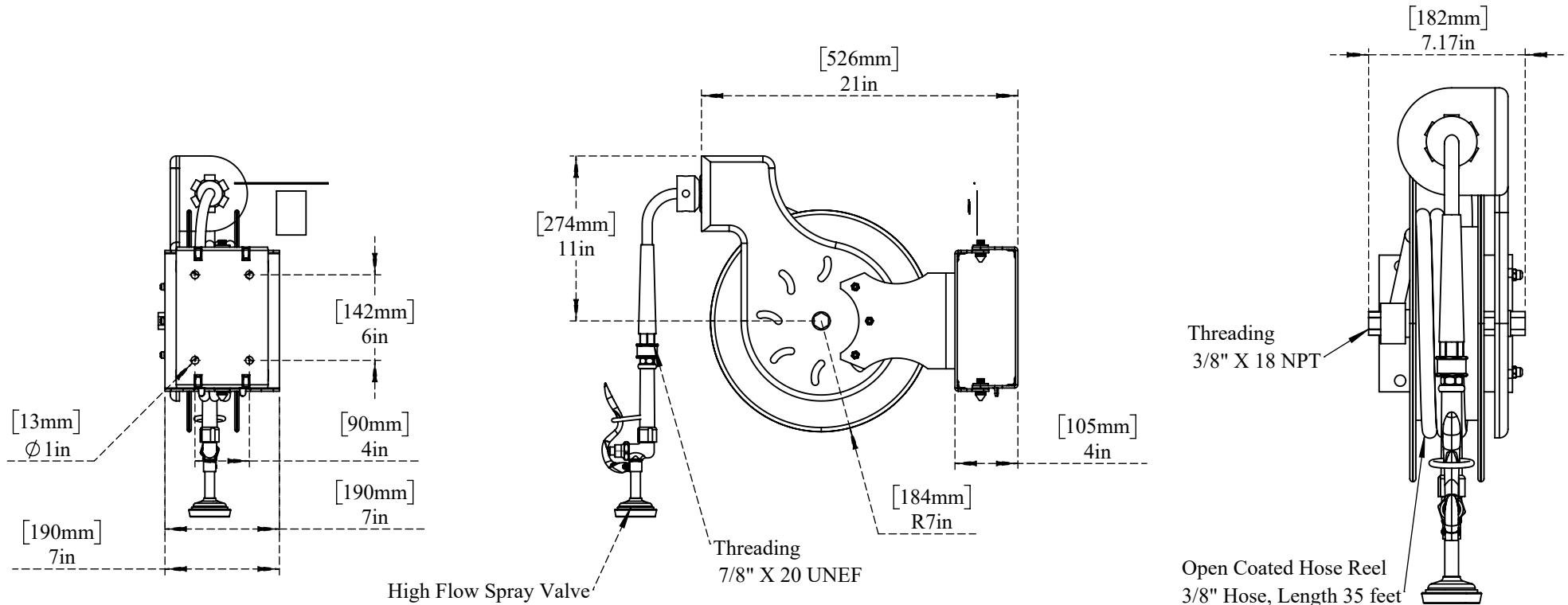


PART NO.- C8269SV+C9269

TITLE- Epoxy Coated Steel Spray Valve Water Hose Reel (3/8" X 52.4 ft)
(16 meter) With Swing Bracket - Wall Mount



All dimensions are in inches, mm (in bracket)

ALUIDS

Note:- Information provided for reference only.

* This document and the information thereon is the property of Krome Dispense Pvt Ltd. & its subsidiaries. Any reproduction in part or as a whole without the written permission of Krome Dispense Pvt Ltd. is prohibited.