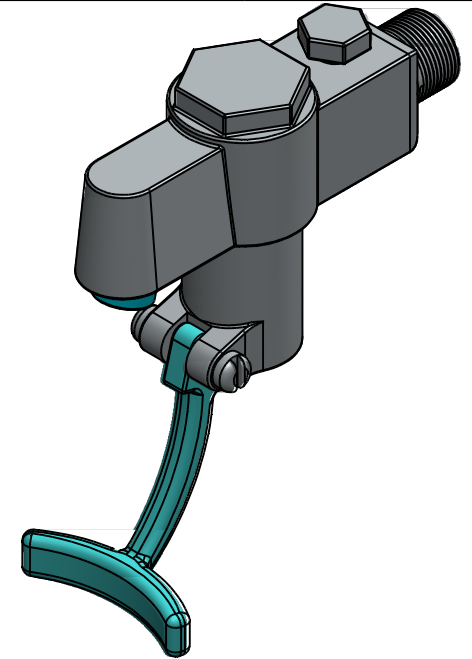
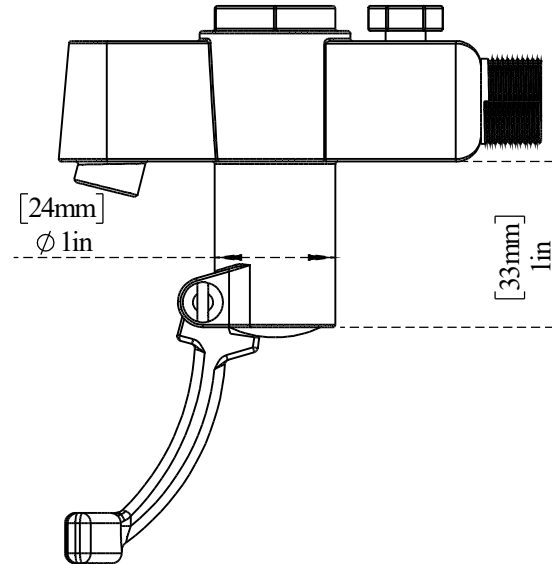
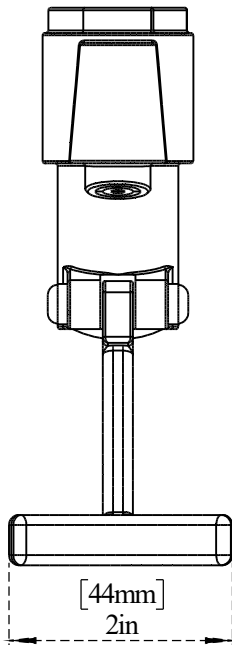
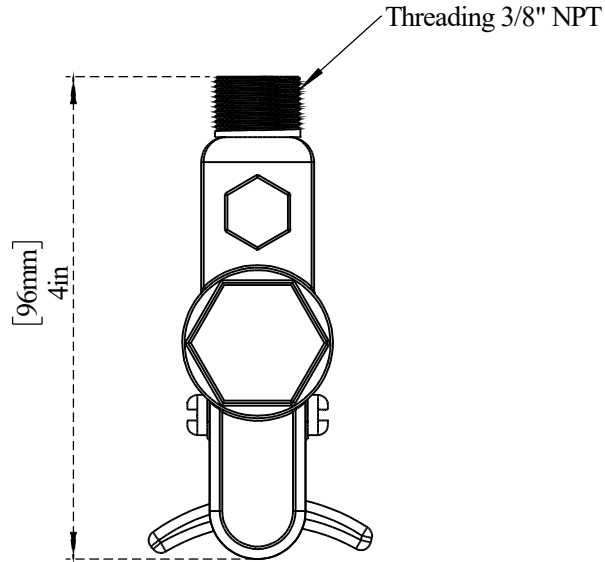


PART NO.-

C8861.04 Line Drawing

TITLE-

Glass Filler with Lever Arm



All dimensions are in inches, in (mm bracket)

**ALUIDS**

Note:- Information provided for reference only.

\* This document and the information thereon is the property of Krome Dispense Pvt Ltd. & its subsidiaries. Any reproduction in part or as a whole without the written permission of Krome Dispense Pvt Ltd. is prohibited.