

For Residential and Commercial Applications

Job Name _____
Job Location _____
Engineer _____
Approval _____

Contractor _____
Approval _____
Contractor's P.O. No. _____
Representative _____

Series No

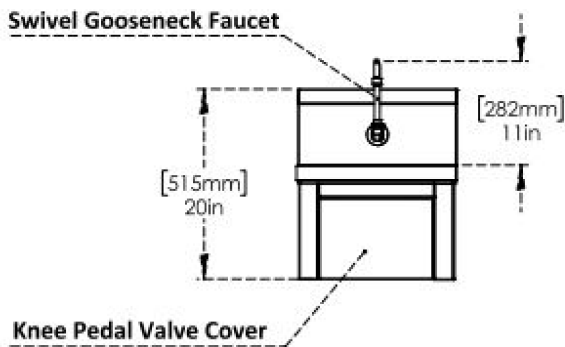
Wall Mount Hand Sink with Single Knee Pedal Valve Cover Including HOT & COLD Mixing Set C9300-1-G-1KVC-KIT

Features & Benefits:

- No sharp Edges
- Rust and Corrosion resistance
- Round arc corners
- 3-1/2" Wide Swivel Gooseneck, Wall Mount with 1.5" Long Nipple Included
- Drain Included
- Wall Mounting Strip Included
- No Touch Hand sink comes with Hot and Cold Knee Pedal
- 5inch bowl depth



Dimensions - Weights



Material:

- 304 Stainless Steel

Finish:

- Brushed steel

NOTICE

The information contained herein is not intended to replace the full product installation and safety information available or the experience of a trained product installer. You are required to thoroughly read all installation instructions and product safety information before beginning the installation of this product.

ALUIDS

US & Canada :- +1-678 666 2001

Krome product Specifications in U.S. customary units and metric are approximate and are provided for reference only. For precise measurements, please contact Krome Technical Service. Krome reserves the right to change or modify product design, construction, specifications, or materials without prior notice and without incurring any obligation to make such changes and modifications on Krome products previously or subsequently sold. For most updated specification sheet, go to