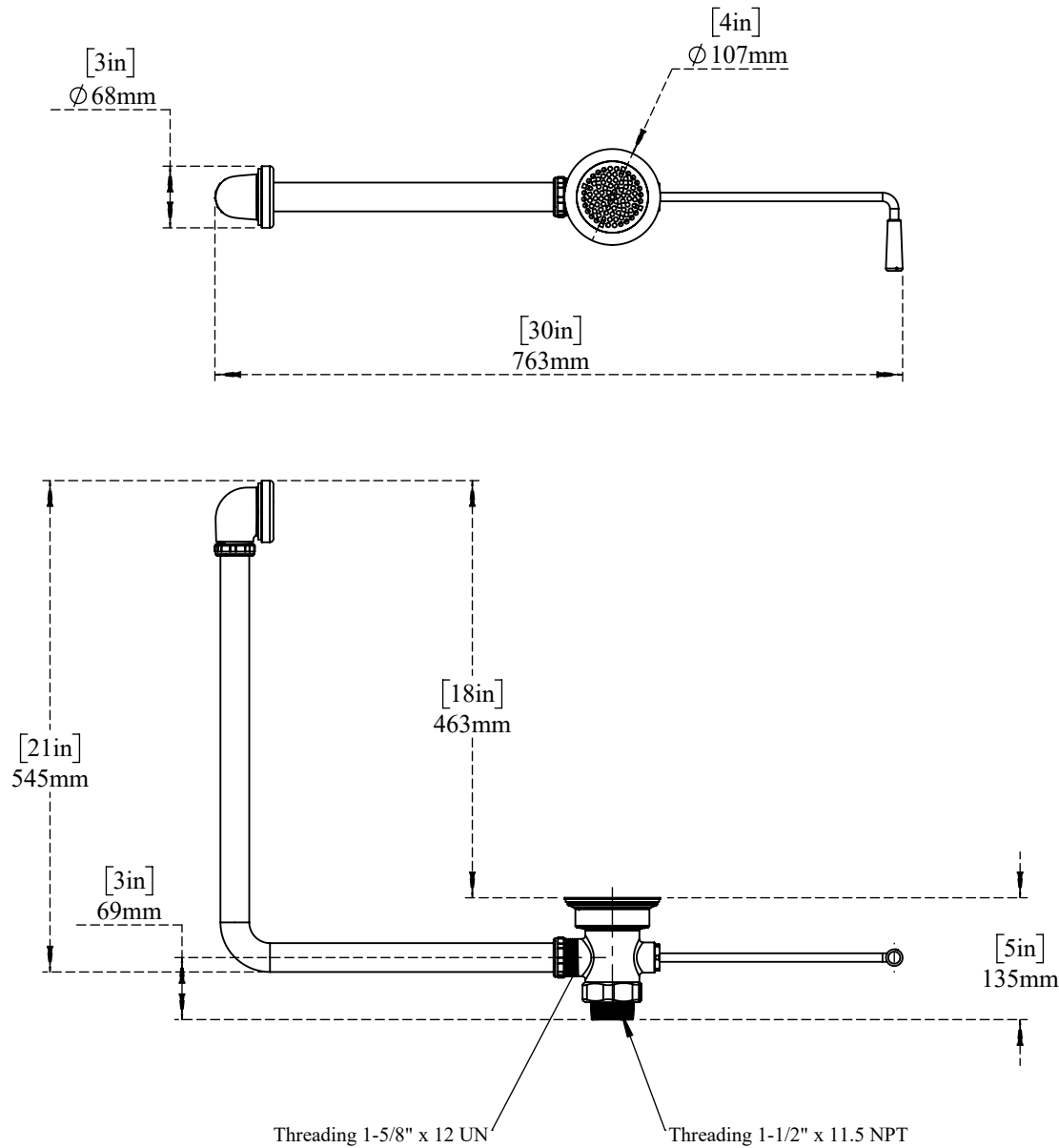


PART NO.- C8090+C8091 Line drawing

TITLE- 3" Sink Opening Waste Drain With Twist Handle, NPT Adapter, 3" x 2" w/ Overflow



ALUIDS

Note:- Information provided for reference only.

* This document and the information thereon is the property of Krome Dispense Pvt Ltd. & its subsidiaries. Any reproduction in part or as a whole without the written permission of Krome Dispense Pvt Ltd. is prohibited.