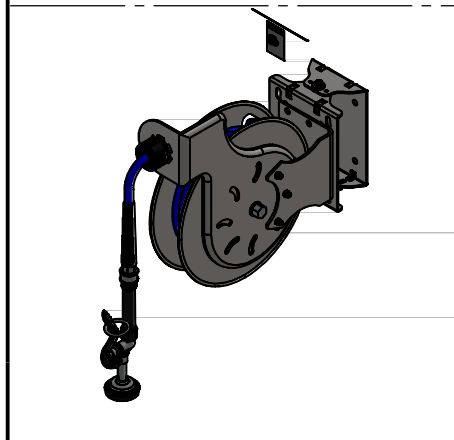
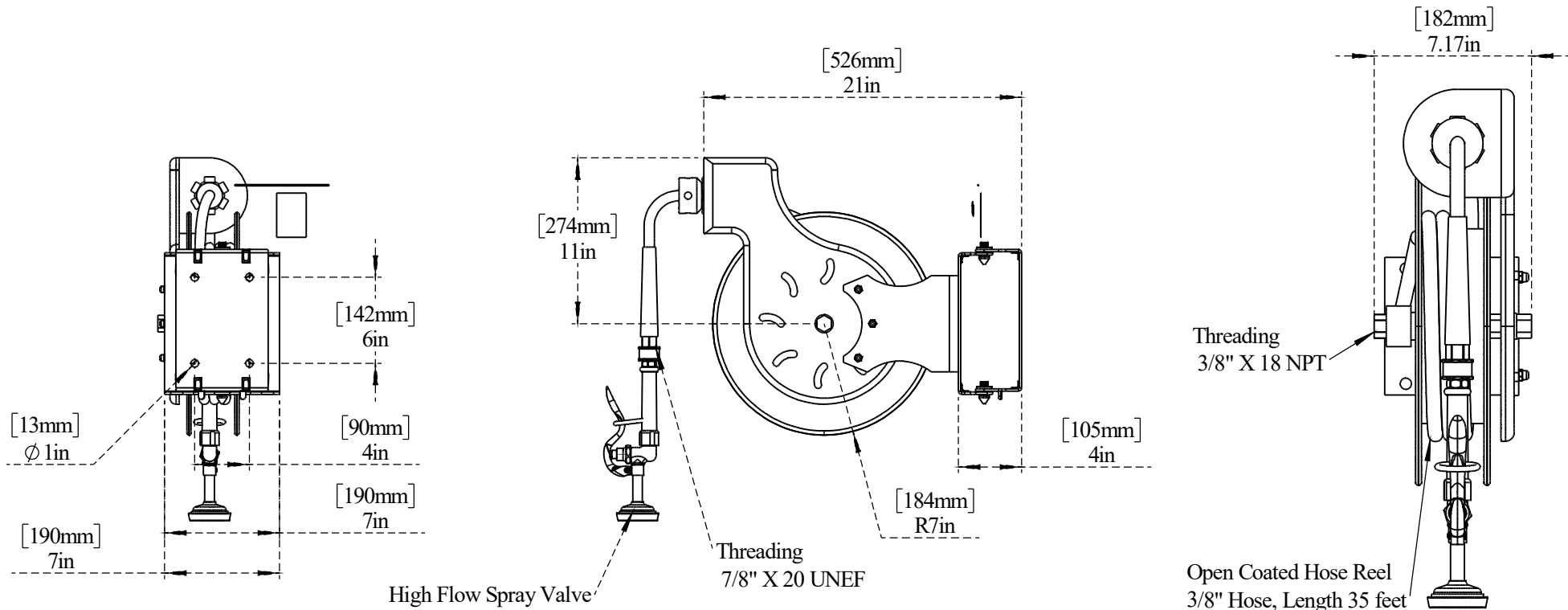


PART NO.- C8289SV+C9269

TITLE- 304 Stainless Steel Hose Reel - 50 Feet With Swing Bracket - Wall Mount



All dimensions are in inches, mm (in bracket)

ALUIDS

Note:- Information provided for reference only.

\* This document and the information thereon is the property of Krome Dispense Pvt Ltd. & its subsidiaries. Any reproduction in part or as a whole without the written permission of Krome Dispense Pvt Ltd. is prohibited.