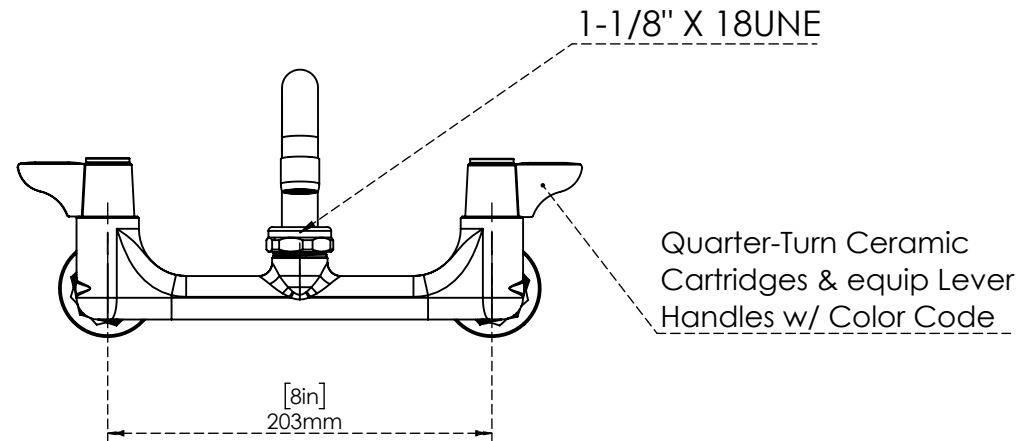
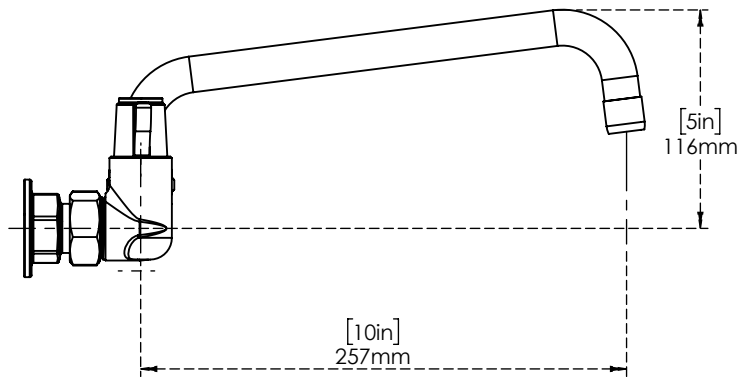
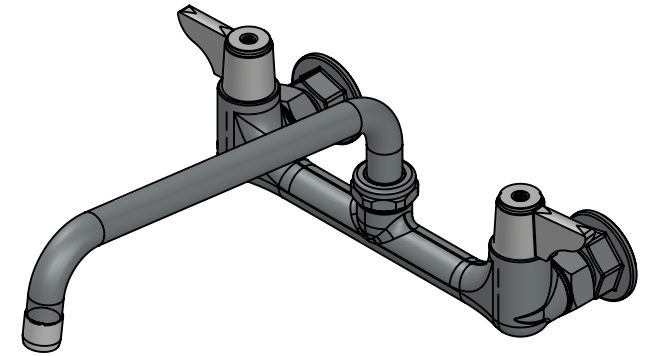


PART NO.-

C9565-10 Line Drawing

TITLE-

Ecoline 8" Wall Mount Mixing Faucet With 10" Swing Nozzle



All dimensions are in mm, inches, (in bracket)

ALUIDS

Note:- Information provided for reference only.

* This document and the information thereon is the property of Krome Dispense Pvt Ltd. & its subsidiaries. Any reproduction in part or as a whole without the written permission of Krome Dispense Pvt Ltd. is prohibited.