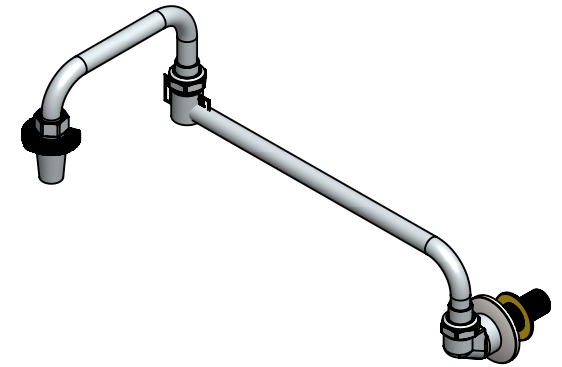
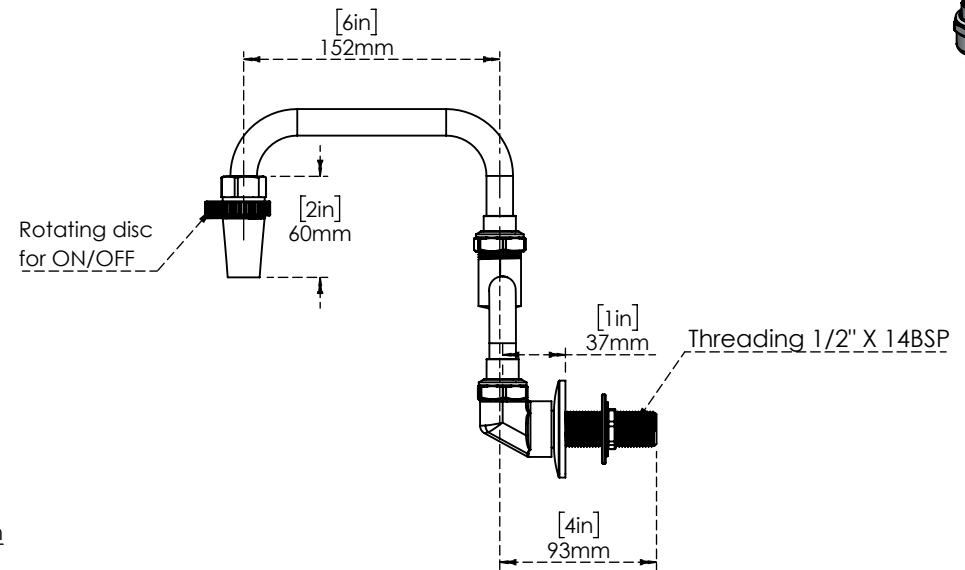
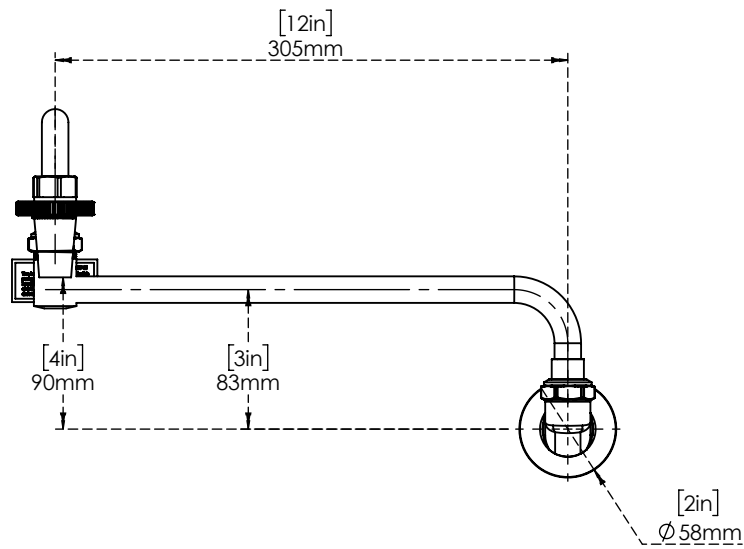


PART NO.-

C8676 Line Drawing

TITLE-

Pot Filler, Wall Mount, 18" Double Joint Nozzle, 1/2" NPT Inlet, Insulated On-Off Control



All dimensions are in inches, mm (in bracket)

ALUIDS

Note:- Information provided for reference only.

\* This document and the information thereon is the property of Krome Dispense Pvt Ltd. & its subsidiaries. Any reproduction in part or as a whole without the written permission of Krome Dispense Pvt Ltd. is prohibited.